



Maximize Your Machine Tool Investment

The drillMate was developed by Matrix Design, Inc., to serve as an affordable yet flexible machine tending solution for any Drill/Tap Machine or small VMC. In this capacity, the drillMate is capable of servicing one or two machines located on either side of the robotic system.

The drillMate's integral sheet metal enclosure not only looks sleek, but is functional as well - it has been designed to provide maximum operator access while taking up minimal factory floor space. The plank grating floor and sub-flooring have been designed to keep your metalworking fluids contained and your facility clean. It's solid construction makes it a cinch to install.

Combining proven FANUC Robotics reliability with Matrix Design's automation experience and quality service, the drill Mate will be a profitable investment for years to come.

Features & Benefits

- Increased productivity and throughput versus manual parts loading.
- Small footprint - Sheet metal enclosure minimizes floor space.
- Containment of metalworking fluids for clean working environment.
- Access door provides easy entry to machine and automation system.
- Operator panel with pushbuttons simplifies operator interface.
- On board PLC for real time signal processing.
- Absolute encoder positioning eliminates homing at power up.
- Reduced cabling issues due to hollow robot joints.

Available Options

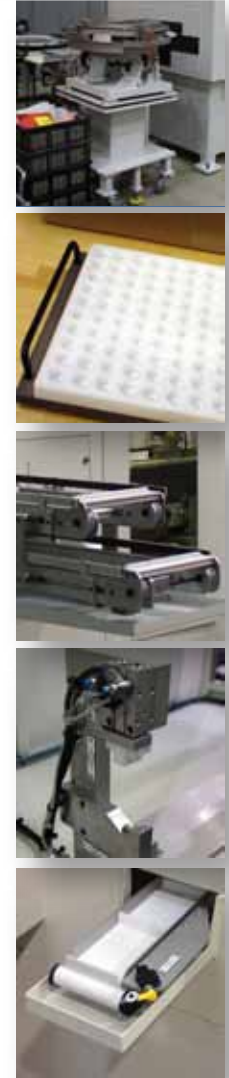
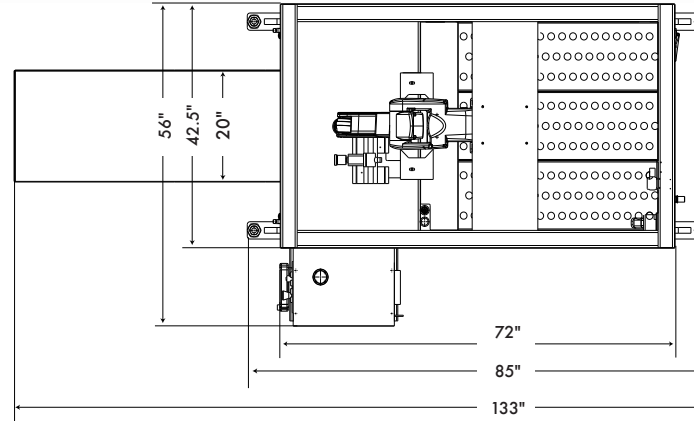
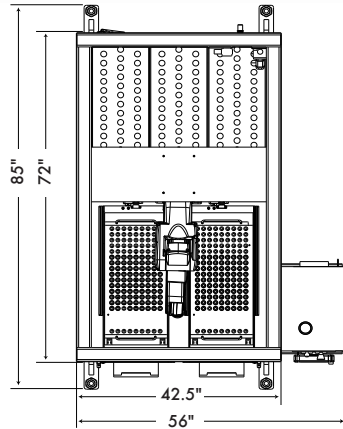
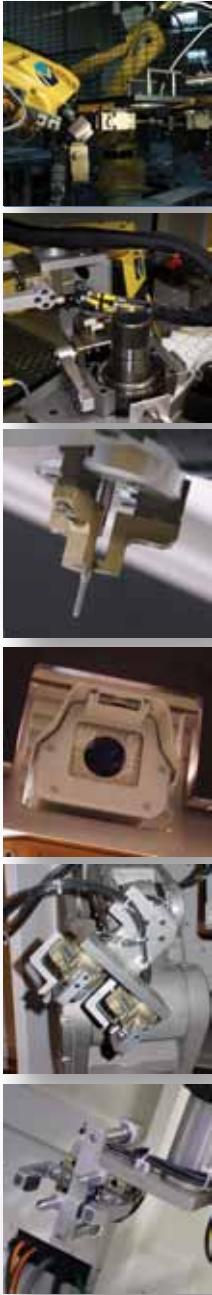
- Custom designed end of arm tooling.
- Pallet drawer part infeed option.
- Motorized conveyor infeed options.
- Alternate part infeed options (feeder bowls, gravity tracks, etc.).
- SPC part options.
- Reject part options.
- Secondary operation processing (debur, gaging, etc.).
- Custom part tray design.
- CSA mark robot/CE mark robot.
- Extended warranty available.
- Installation / run-off / training assistance

Matrix Design, Inc.

1525 Holmes Road
Elgin, IL 60123

Tel. 847.841.8260
Fax. 847.841.8264

<http://www.getmatrixed.com>
info@getmatrixed.com



SPECIFICATIONS

Robot	FANUC LR Mate 200iC/5L
Axes	6
Payload (kg)	5
Reach (mm)	892
Repeatability (mm)	+/- 0.08

Motion Speed (deg/sec)

J1	270
J2	270
J3	270
J4	450
J5	450
J6	720

IP Ratings

Body	IP54	IP67 (Option)
Forearm	IP67	
Wrist	IP67	

Pallet Dimensions (mm/in)

Length	304/12
Width	457/18

Robot Controller	System R-30iA Mate
Available Vision	FANUC iRVision
Input Voltage	480VAC / 3 Phase

PRICING

Base System Price **\$ 60,985**

Base system includes engineering and documentation for a standalone system, as well as the following FANUCoptions on the robot;

FANUC Color iPendant	PMC option for realtime processing
Collision Guard	Five slot Model A I/O rack
Collision Skip	1 input/1 output IO Module (16in/16out)

Robot End Effector	1 Gripper - 2 Jaw	\$ 2,780. ⁰⁰
	2 Gripper - 2 Jaw/90	\$ 3,720. ⁰⁰
	2 Gripper - 2 Jaw/180	\$ 3,605. ⁰⁰
	1 Gripper - 3 Jaw	\$ 3,005. ⁰⁰
	2 Gripper - 3 Jaw/90	\$ 4,175. ⁰⁰
	2 Gripper - 3 Jaw/180	\$ 4,060. ⁰⁰

Gripper Finger Sets	1 Gripper - 2 Jaw	\$ 1,380. ⁰⁰
	2 Gripper - 2 Jaw	\$ 1,820. ⁰⁰
	1 Gripper - 3 Jaw	\$ 1,595. ⁰⁰
	2 Gripper - 3 Jaw	\$ 2,200. ⁰⁰

Ancillary Equipment	Stack Light	\$ 985. ⁰⁰
	Air Blast	\$ 1,225. ⁰⁰
	Single Pallet Drawer	\$ 3,495. ⁰⁰
	Dual Pallet Drawer	\$ 5,995. ⁰⁰
	Part Pallet (estimated)	\$ 2,980. ⁰⁰
	Conveyance	(Please Call)
	iRVision - 2D Guided	\$ 9,950. ⁰⁰
	iRVision - GigE High Res	\$ 12,950. ⁰⁰
RoboDrill Interface	\$ 2,050. ⁰⁰	

Services	Run-Off/Training (Local)	\$ 4,850. ⁰⁰ /wk
	Run-Off/Training (Remote)	\$ 5,850. ⁰⁰ /wk

Prices are correct at the time of publication. However, our prices are regularly reviewed and are subject to change without notice.